

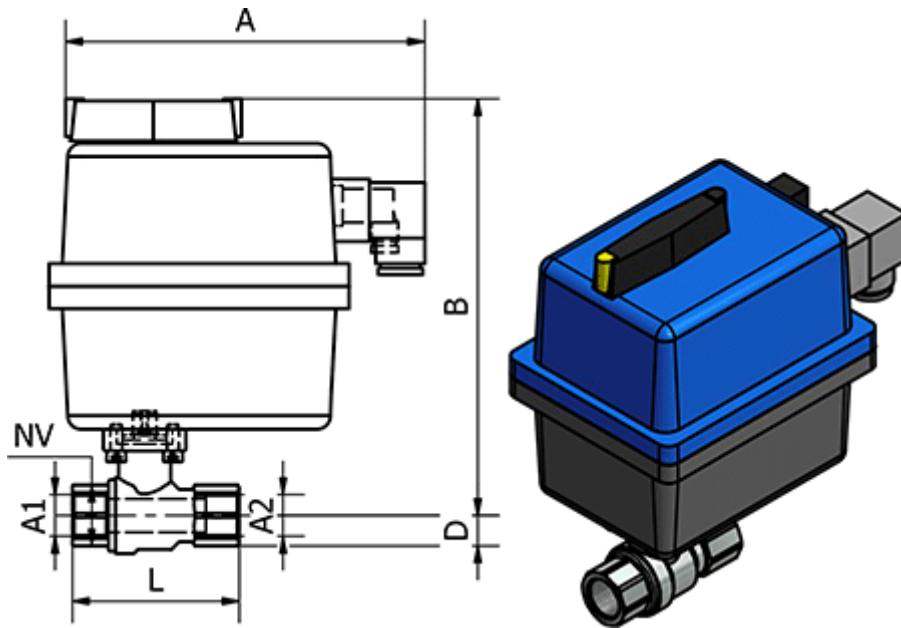
Data Sheet



Article number: 5863501813

Description: Ball Valve 350.1813, G 1 1/4" - G 1 1/4"
Thread/Thread

Measures



= -	D	= 30
= -	L	= 110
= -	Max. Operating Pressure	= 40 bar
= -	NV	= 50

A = 177

B = 214

Connecting A1 = G 1 1/4"

Connecting A2 = G 1 1/4"